

EC-Series 50Hz Submersible Cutter Sewage Pump



50EC-5.05

50(80)EC-5.20

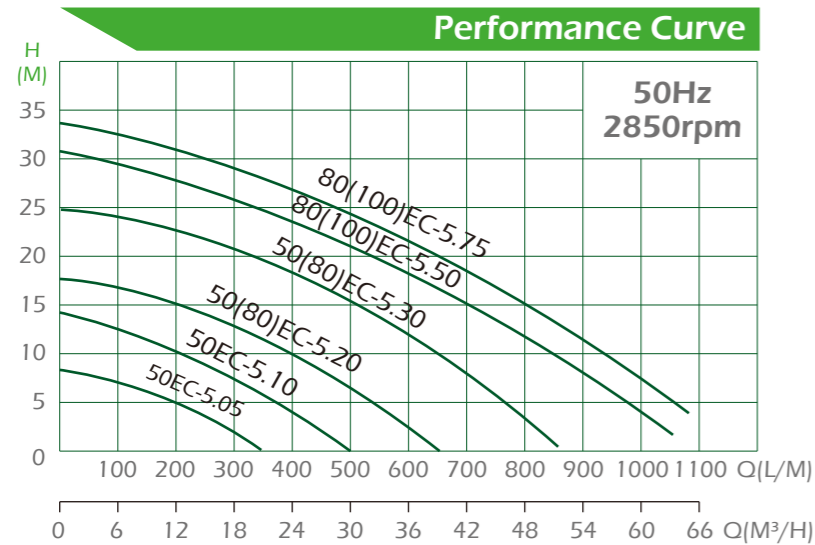
EC 50Hz

Feature

- > With tungsten cutter
- > Double Mechanical Seals
- > Reliable Shaft sealing
- > Automatic Operation (Option).

Application

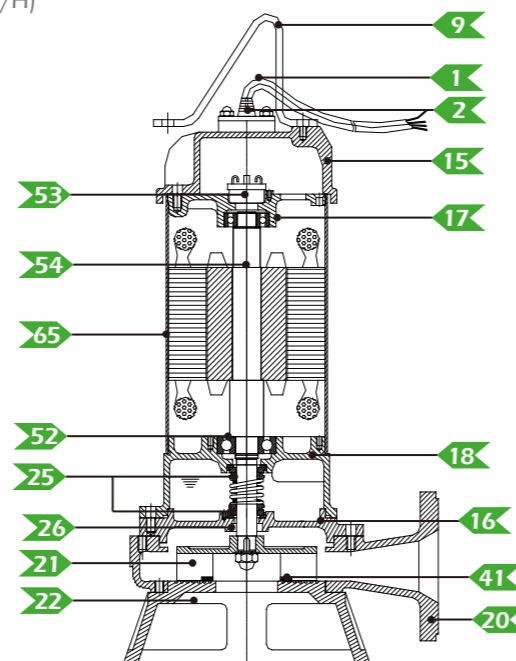
- > Hospital, school, building ...etc.
- > Wastewater treatment system
- > Industrial wastewater
- > Ground water drainage



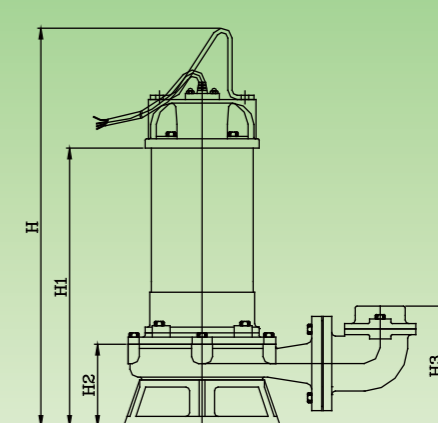
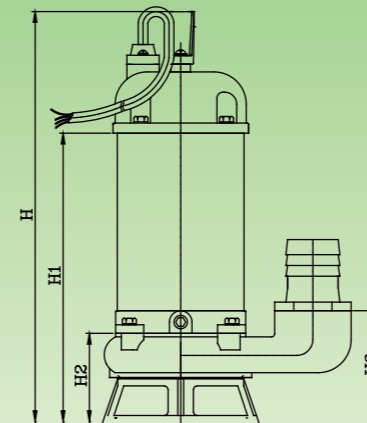
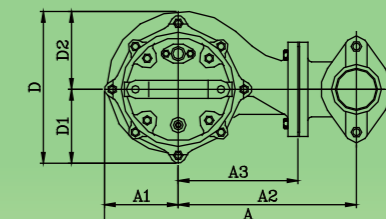
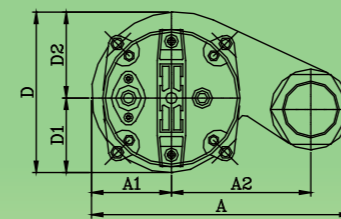
Parts and Material List

No	Part	Mtrl
1	Cable	H07
2	Cable hood	NBR
9	Handle	Nylon 6/SS41
15	Motor Cover	Nylon 66/FC200
16	Seal Housing	FC 200
17	Bracket	FC 200
18	Oil Chamber	FC 200
20	Pump Casing	FCD 450/FC 200
21	Impeller	FCD 450
22	Strainer	FCD 450
25	Double Mech. Seal	Upper : CA / CE Lower : SIC / SIC
26	Oil Seal	NBR
41	Cutter edge	Tungsten
52	Bearing	NTN
53	Protector	
54	Shaft	SUS 410
65	Motor Housing	SUS 304

EC-Series Cutter Impeller (Tungsten Edge)



EC-Series Dimensions



EC-5.05~10

EC-5.10~75

Dimensions (mm)

Type	A	A1	A2	A3	D	D1	D2	H	H1	H2	H3
50EC-5.05	253	95	158	NA	190	95	95	410	285	106	126
50EC-5.10	253	95	158	NA	190	95	95	480	333	106	126
*50(80)EC-5.10	265	95	199	115	190	95	95	402	290	104	164
50(80)EC-5.20	408	108	250	168	217	108	109	560	390	115	168
50(80)EC-5.30	408	108	250	168	217	108	109	580	410	115	168
80(100)EC-5.50	457	110	255	167	227	110	117	610	445	137	225
80(100)EC-5.75	457	110	255	167	227	110	117	650	485	137	225

>Note1 : Automatic models are available in single-phase versions.

>Note2 : O.D.C.(Quick Discharge Connection) is applied in all models.

>Note3 : *50(80)EC-5.10 : Elbow Type