

EW-Series 50Hz Submersible Vortex Sewage Pump



50EW-5.05

50(80)EW-5.20

EW 50Hz

Feature

- > Vortex Impeller/Non-clogging
- > Minimized abrasive wear
- > Large impeller clearance
- > Maintenance free
- > Double Mech. Seal

Application

- > Medium concentration wastewater
- > Heavy duty

Specifications

Type	Output		Discharge	Phase	Rated		Cable	Weight
	HP	kw			Head M	Capacity LPM		
50EW-5.05	0.5	0.37	2"	1,3	6	150	5	13
50EW-5.10	1	0.75	2"	1,3	9	200	5	18
50(80)EW-5.20	2	1.5	2"(3")	1,3	10	400	5	33
50(80)EW-5.30	3	2.2	2"(3")	3	11	500	5	34
80(100)EW-5.50	5	3.7	3"(4")	3	15	550	10	56
80(100)EW-5.75	7.5	5.5	3"(4")	3	20	650	10	62

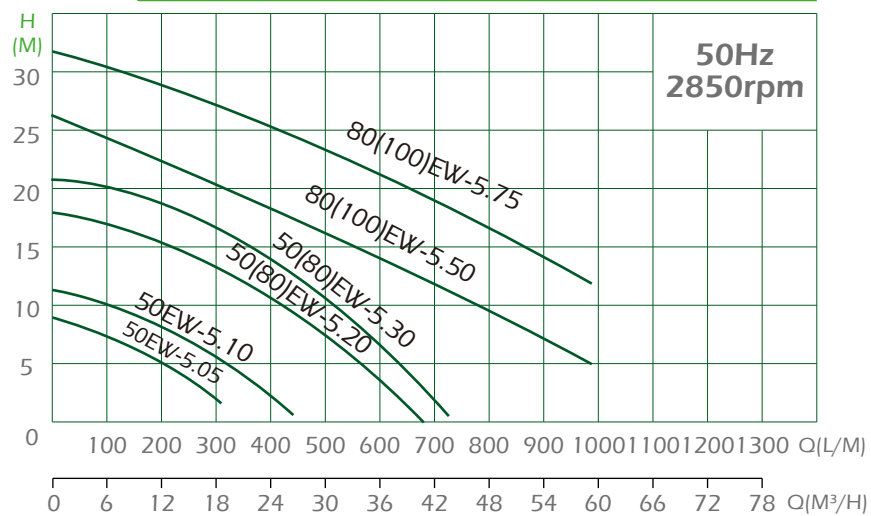
50EW-5.05 : Thread Type / Flange Type

50EW-5.10 : Thread Type / Flange Type / Elbow Type(2" or 3")

50(80)EW-5.20~30 : Elbow Type(2" or 3")

80(100)EW-5.50~75 : Elbow Type (3" or 4")

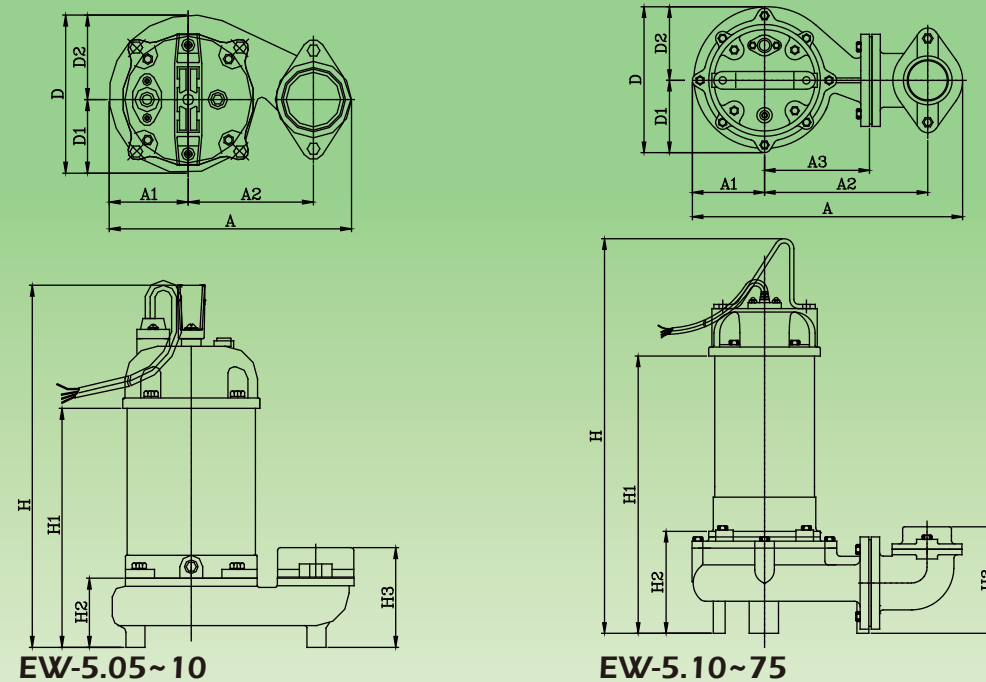
Performance Curve



EW-Series Vortex Impeller



EW-Series Dimensions

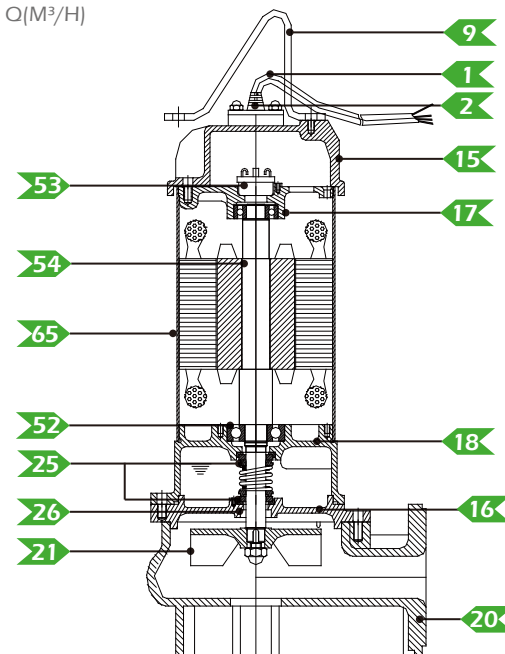


EW-5.05~10

EW-5.10~75

Parts and Material List

No	Part	Mtrl
1	Cable	H07
2	Cable Hood	NBR
9	Handle	Nylon 6/SS41
15	Motor Cover	Nylon 66/FC200
16	Seal Housing	FC 200
17	Bracket	FC 200
18	Oil Chamber	FC 200
20	Pump Casing	FC 200
21	Impeller	FC 200
25	Double Mech.Seal	Upper : CA / CE Lower : SIC / SIC
26	Oil Seal	NBR
52	Bearing	NTN
53	Protector	
54	Shaft	SUS 410
65	Motor Housing	SUS 304



Dimensions (mm)

Type	A	A1	A2	A3	D	D1	D2	H	H1	H2	H3
50EW-5.05	228	73	155	NA	150	69	81	412	297	117	138
50EW-5.10	228	73	155	NA	150	69	81	487	345	117	138
*50(80)EW-5.10	312	82	183	101	163	76	87	494	351	124	156
50(80)EW-5.20	390	103	235	151	210	105	105	532	400	150	152
50(80)EW-5.30	390	103	235	151	210	105	105	552	420	150	152
80(100)EW-5.50	470	110	257	170	218	98	120	633	468	160	206
80(100)EW-5.75	470	110	257	170	218	98	120	673	508	160	206

>Note1 : Automatic models are available in single-phase versions.

>Note2 : Q.D.C.(Quick Discharge Connection) is applied in all models.

>Note3 : *50(80)EW-5.10 : Elbow Type