

EWS-Series 50Hz 316 Stainless Steel Submersible Vortex Sewage Pump



\ EWS-5.05~10 \ EWS-5.20~30 \ EWS-5.50~75

EWS 50Hz

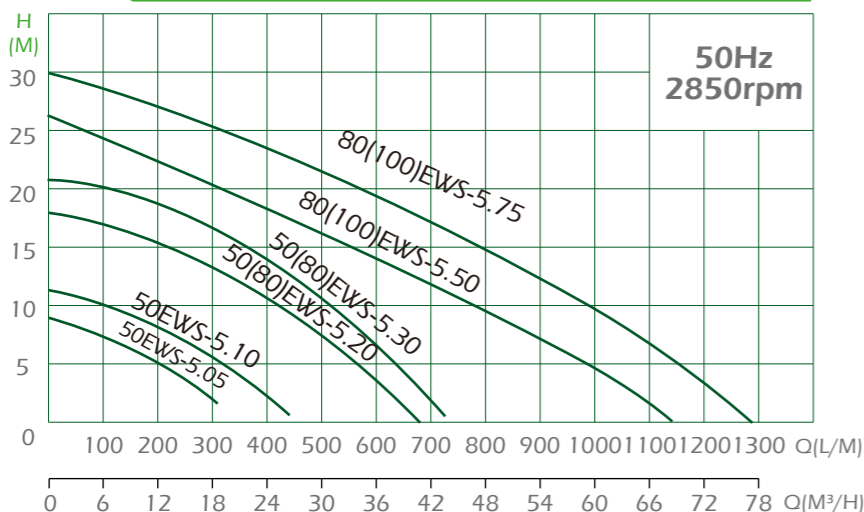
Feature

- > Vortex Impeller/Non-clogging
- > Minimized abrasive wear
- > Large impeller clearance
- > Maintenance free
- > Double Mech. Seal
- > Loss wax 316 stainless steel

Application

- > Medium concentration wastewater
- > Heavy duty

Performance Curve



\ EWS-Series Vortex Impeller
316 Stainless Steel

Specifications

Type	Q L/M	100	200	300	400	500	600	700	800	900
	Q M³/H	6	12	18	24	30	36	42	48	54
50EWS-5.05	H[m]	7	5	2						
50EWS-5.10		10	8	6.5	2					
50(80)EWS-5.20		17	15.5	13	11	7	4			
50(80)EWS-5.30		20	19	17	14	10	6.5	2		
80(100)EWS-5.50		24	22.5	20	18.5	16	14	12	9.5	7
80(100)EWS-5.75		28.5	27	25	23.5	21.5	19	17	15	12

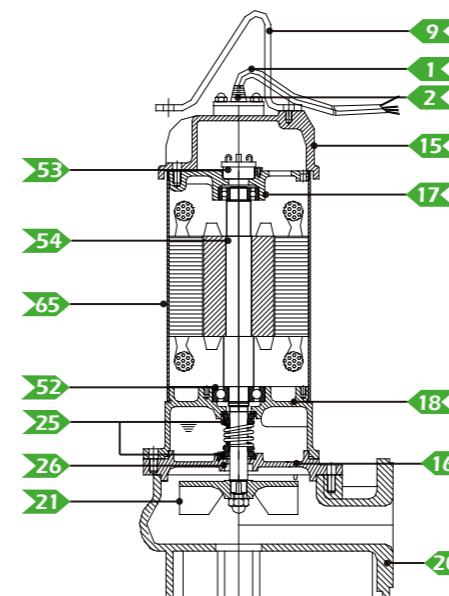
Specifications

Type	Output		Discharge	Speed	Pole	Amp		Solid	Weight
	HP	kw				1 Phase 230V	3 Phase 380V		
50EWS-5.05	0.5	0.37	2"	2850	2	4	1.2	35	13
50EWS-5.10	1	0.75	2"	2850	2	6	1.8	35	18
50(80)EWS-5.20	2	1.5	2"(3")	2850	2	11.3	3.5	45	33
50(80)EWS-5.30	3	2.2	2"(3")	2850	2		5.2	45	34
80(100)EWS-5.50	5	3.7	3"(4")	2850	2		8.6	50	56
80(100)EWS-5.75	7.5	5.5	3"(4")	2850	2		12	50	62

50EWS-5.05~10 : Flange Type
 50(80)EWS-5.20~30 : Elbow Type(2" or 3")
 80(100)EWS-5.50~75 : Elbow Type (3" or 4")

Standard cable length : 10M

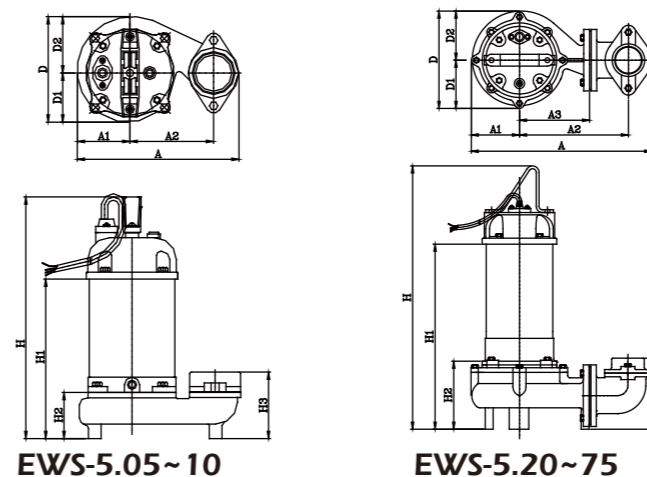
All technical information is subject to change without notice.



Parts and Material List

No	Part	Mtrl
1	Cable	H07
2	Cable Hood	NBR
9	Handle	0.5~1HP : Nylon 6 2~7.5HP : SUS 316
15	Motor Cover	SUS 316
16	Seal Housing	SUS 316
17	Bracket	FC 200
18	Oil Chamber	0.5~1HP : FC 200 2~7.5HP : SUS 316
20	Pump Casing	SUS 316
21	Impeller	SUS 316
25	Double Mech.Seal	Upper : CA / CE Lower : SIC / SIC
26	Oil Seal	Viton
52	Bearing	NTN
53	Protector	Klixon
54	Shaft	SUS 316
65	Motor Housing	SUS 316

EWS-Series Dimensions



EWS-5.05~10

EWS-5.20~75

Dimensions (mm)

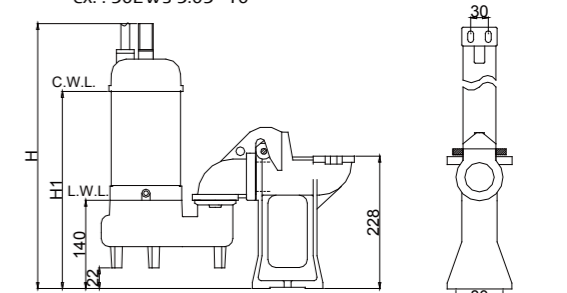
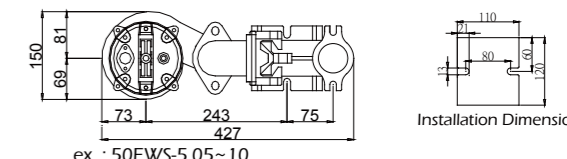
Type	A	A1	A2	A3	D	D1	D2	H	H1	H2	H3
50EWS-5.05	228	73	155	NA	150	69	81	412	297	117	138
50EWS-5.10	228	73	155	NA	150	69	81	442	327	117	138
50(80)EWS-5.20	390	103	235	151	210	105	105	532	400	150	152
50(80)EWS-5.30	390	103	235	151	210	105	105	552	420	150	152
80(100)EWS-5.50	471	100	274	178	212	96	116	633	468	160	225
80(100)EWS-5.75	471	100	274	178	212	96	116	673	508	160	225

>Note1 : Automatic models are available in single-phase versions.
 >Note2 : O.D.C.(Quick Discharge Connection) is applied in all models.

Mech. Seal (EKK) Bearing (NTN)

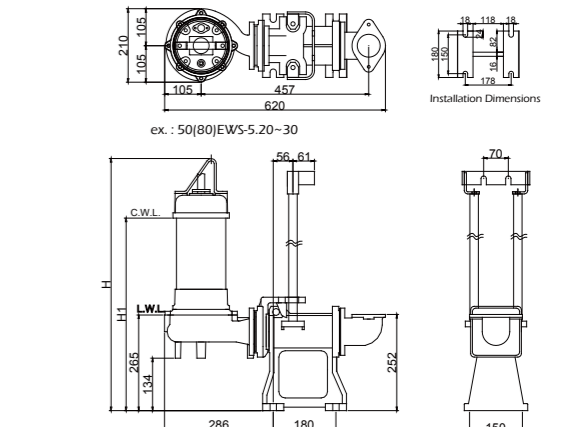


SQS(0.5HP~1HP) SQM(2HP~7.5HP)



EWS with SQS

Output	Discharge	Dimensions(mm)			
HP	KW	Inch	mm	H	H1
0.5	0.4	2"	50	434	319
1	0.75	2"	50	464	349



EWS with SQM

Output	Discharge	Dimensions(mm)			
HP	KW	Inch	mm	H	H1
2	1.5	2"(3")	50(80)	677	545
3	2.2	2"(3")	50(80)	697	565
5	3.7	3"(4")	80(100)	775	597
7.5	5.5	3"(4")	80(100)	815	637